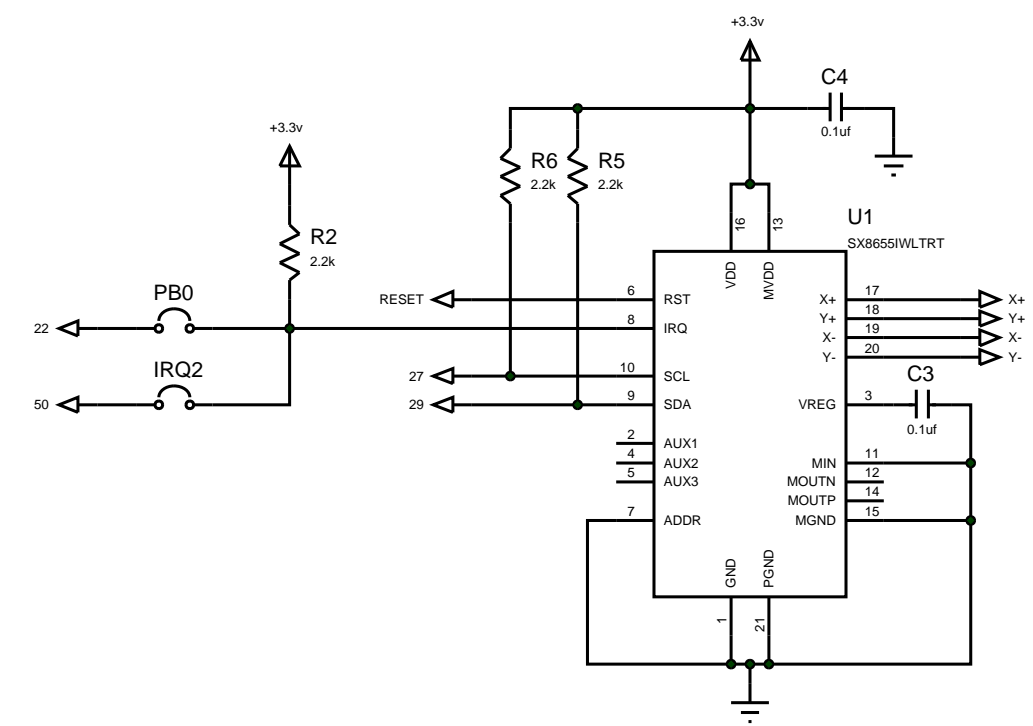
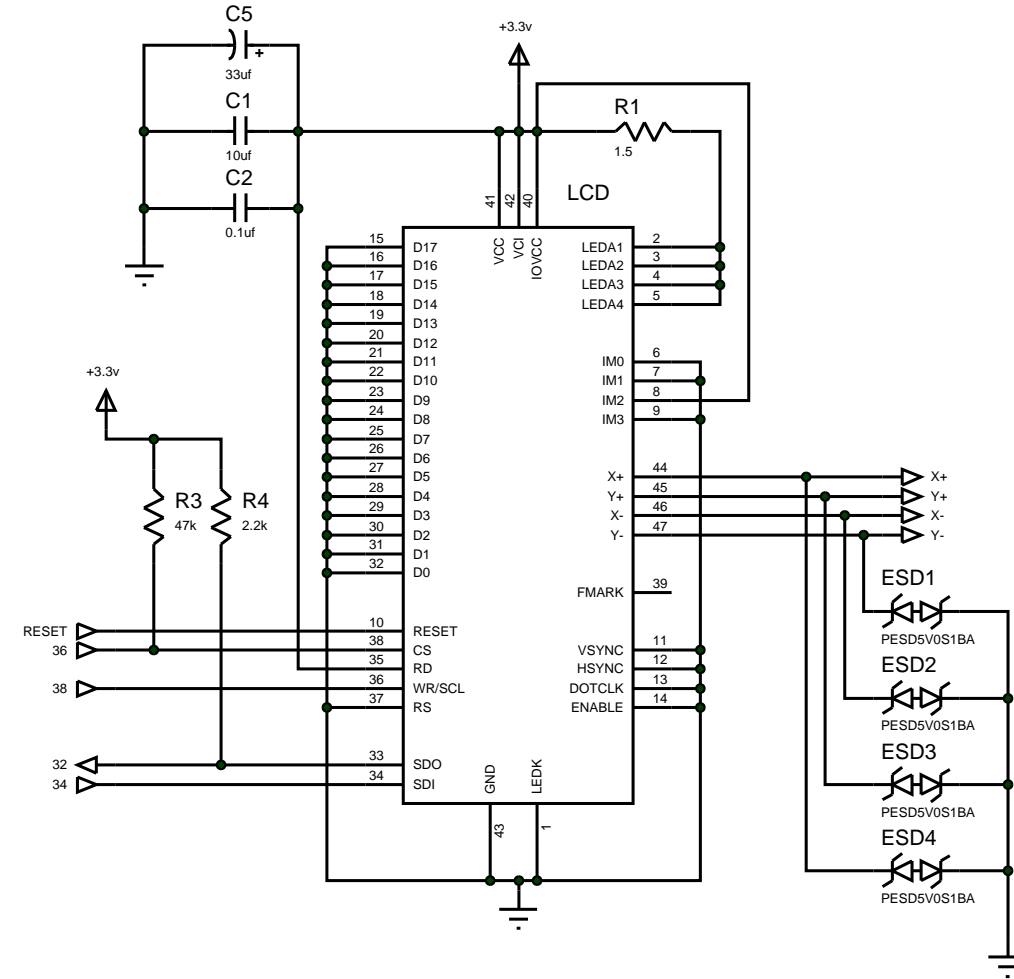
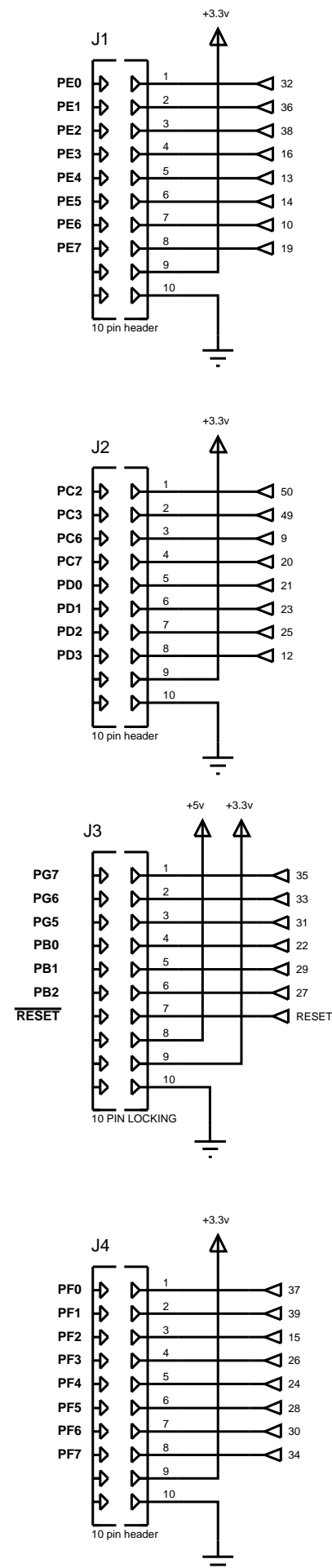
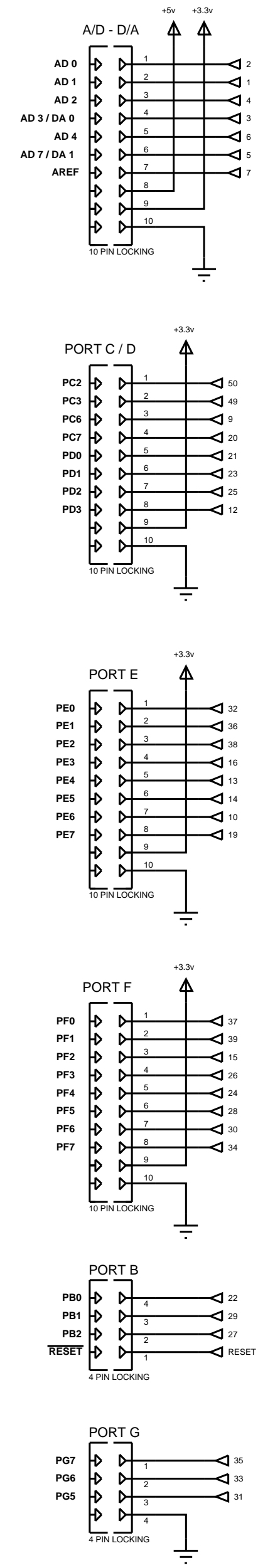


# LCD BOARD EDGE CONNECTIONS



# NANO54415 CONNECTIONS



APPROVALS		DATE	<b>VERSAMODULE</b>			
DRAWN	VM					
ENGR.			TITLE			
CHECKED			Notes: <i>Nano VM0</i>			
FINISH	D.N.A.		SIZE	REV.	SHEET	DWG. NO.
MISC.				0.1	1/1	