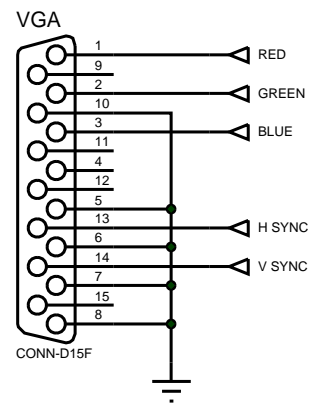
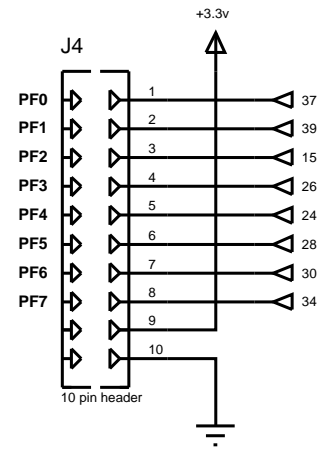
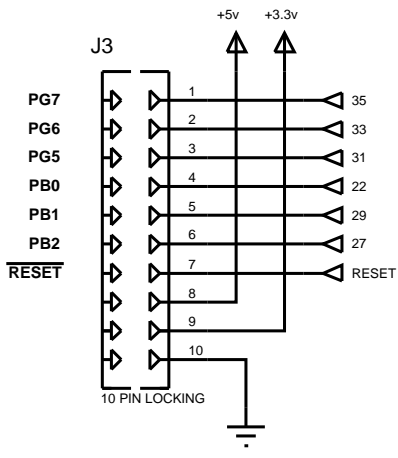
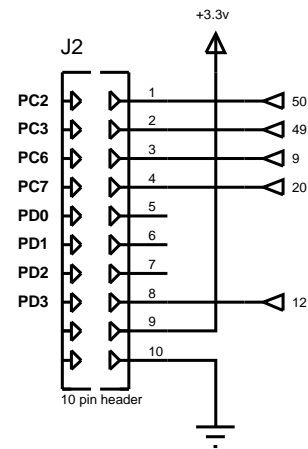
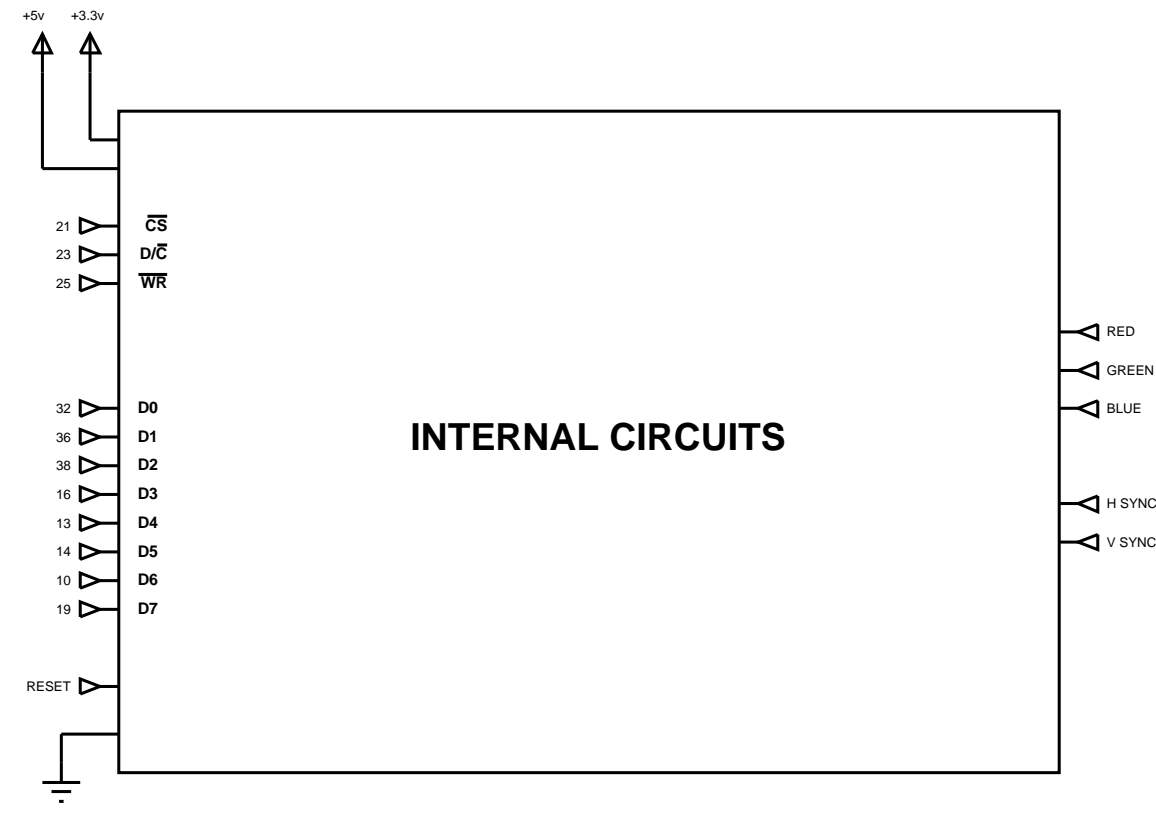
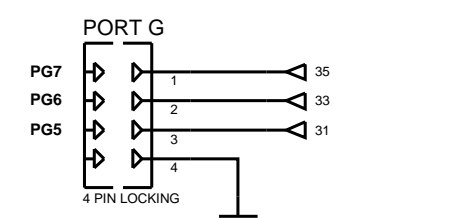
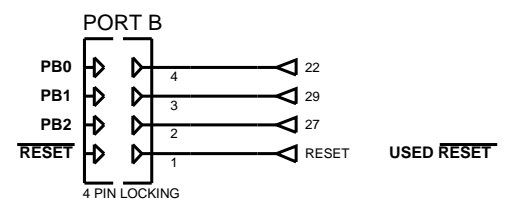
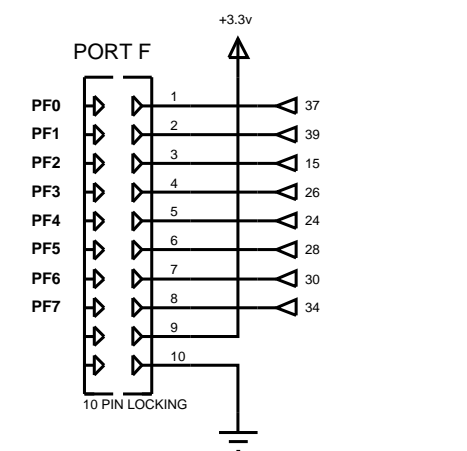
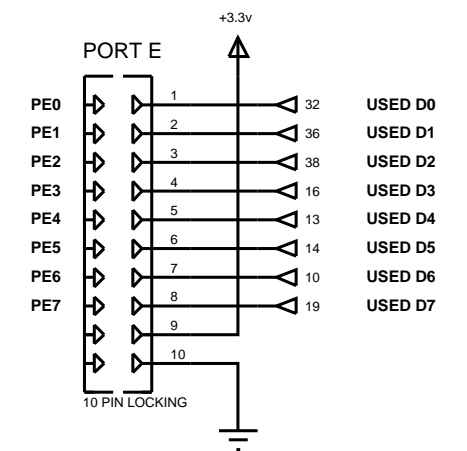
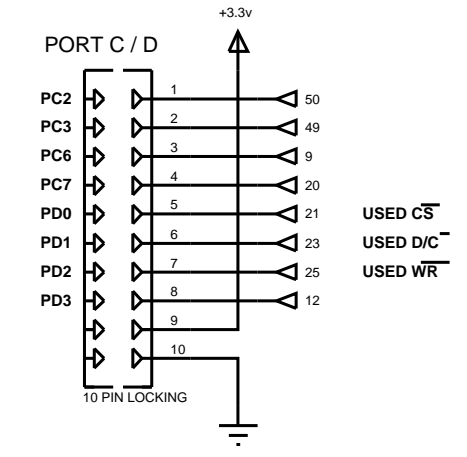
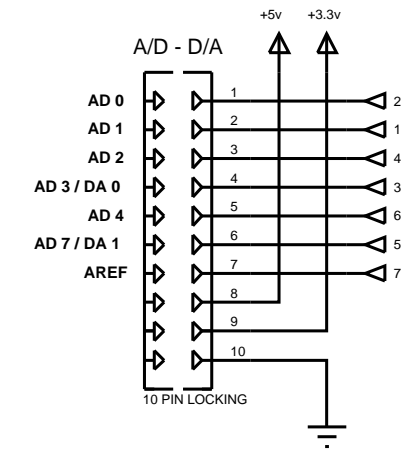


VGA BOARD EDGE CONNECTIONS



NANO54415 CONNECTIONS



APPROVALS		DATE
DRAWN	VM	
ENGR.		
CHECKED		
FINISH	D.N.A.	
MISC.		

VERSAMODULE			
VMB VGA MODULE			
TITLE	NOTES:	SIZE	REV.
		0.1	1/2
		SHEET	DWG. NO.